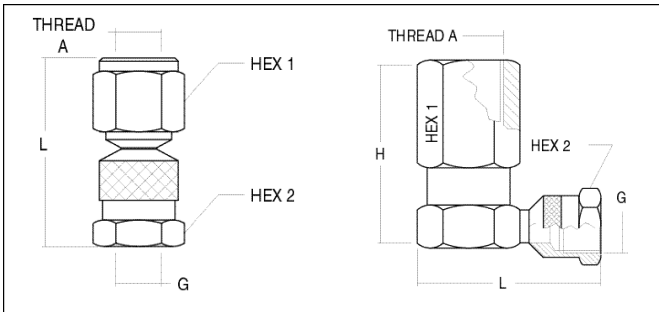


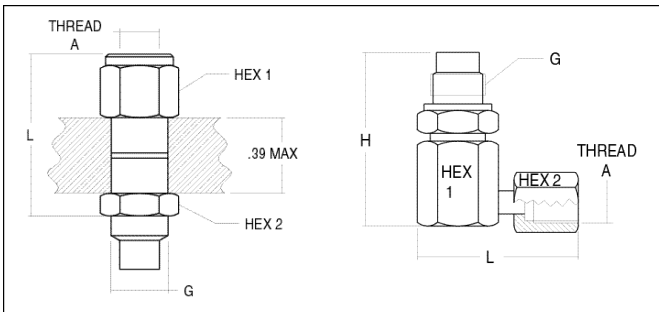
Staple Micro-Test Couplings

PART NO.	THREAD A	H	HEX	SEAL/TYPE	BAR/PSI
40.10.61	M8 X 1	0.7	0.47	O-RING	400/5800
40.10.62	M10 X 1	0.7	0.47	O-RING	400/5800
40.10.63	1/8" BSP	0.7	0.47	TAPER	400/5800



Gauge Connectors

PART NO.	THREAD A	G	GAUGE SEAL	HEX 1	HEX 2	H	L
20.21.33	1/4 BSP	M16 x 2	NBR O-RING	0.75	0.75	--	2.20
20.21.34	1/2 BSP	M16 x 2	DKI METAL RING	1.06	0.75	--	2.40
20.21.43	1/4 NPT	M16 x 2	TAPER	0.75	0.75	--	2.20
20.21.33/90	1/4 BSP	M16 x 2	NBR O-RING	0.75	0.75	1.70	1.80
20.21.34/90	1/2 BSP	M16 x 2	DKI METAL RING	1.06	0.75	3.10	1.80
20.21.43/90	1/4 NPT	M16 x 2	TAPER	0.75	0.75	1.70	1.80



Gauge Connectors for Hose

PART NO.	THREAD A	G	GAUGE SEAL	HEX 1	HEX 2	H	L
20.20.33	1/4 BSP	M16 x 2	NBR O-RING	0.75	0.94	--	2.10
20.20.34	1/2 BSP	M16 x 2	NBR O-RING	1.06	0.94	--	2.20
20.20.43	1/4 NPT	M16 x 2	TAPER	0.75	0.94	--	2.10
20.20.33/90	1/4 BSP	M16 x 2	NBR O-RING	0.75	0.75	2.10	1.60
20.20.34/90*	1/2 BSP	M16 x 2	DKI METALRING	0.75	1.06	1.90	3.10

* HEX 2 of 20.20.34/90 is non-swivel.

Thread Form and Port

