

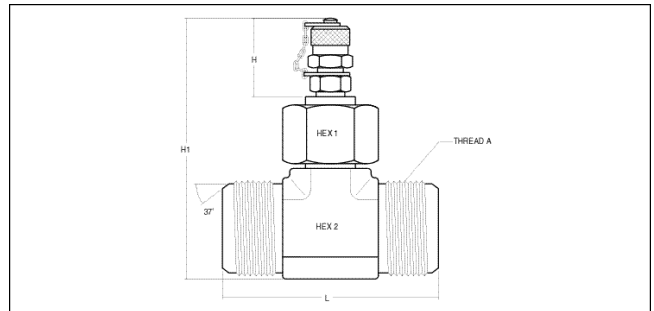
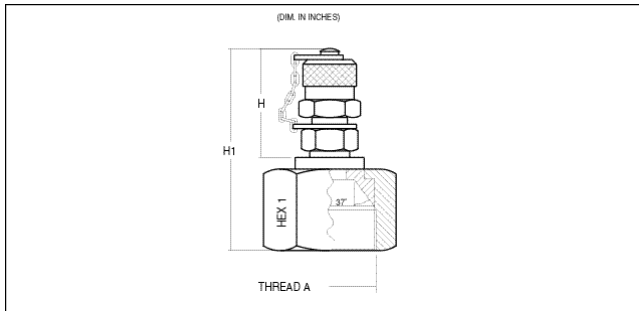
Micro-Test Couplings with Safety Caps

Bulkhead Micro-Test Couplings With Safety Caps

PART NO.	THREAD A	H	HEX	SEAL /TYPE	BAR/PSI
20.10.68	1/8 NPT	1.60	0.67	TAPER	400/5800
20.10.59	1/4 NPT	1.60	0.67	TAPER	630/9100
20.10.74	5/16 UNF	1.60	0.67	O-RING	315/4500
20.10.67	7/16 UNF	1.60	0.67	O-RING	630/9100
20.10.75	1/2 UNF	1.60	0.67	O-RING	630/9100
20.10.72	9/16 UNF	1.60	0.67	O-RING	630/9100
20.10.73	1/8 BSPP	1.60	0.67	SOFT SEAL	400/5800
20.10.60	1/4 BSPP	1.60	0.75	SEALING EDGE	630/9100
20.10.66	1/4 BSPP	1.60	0.75	SOFT SEAL	630/9100
20.10.58	3/8 BSPP	1.60	0.87	SOFT SEAL	630/9100
20.10.63	1/8 BSPT	1.60	0.67	TAPER	400/5800
20.10.65	1/4 BSPT	1.60	0.67	TAPER	630/9100
20.10.61	M8 x 1	1.60	0.67	O-RING	400/5800
20.10.62	M10 x 1	1.60	0.67	O-RING	630/9100
20.10.56	M12 x 1.5	1.60	0.67	SOFT SEAL	630/9100
20.10.76	M14 x 1.5	1.60	0.75	SOFT SEAL	630/9100

PART NO.	THREAD 1	THREAD 2	HEX 1	HEX 2	L
20.23.22	M16 x 2	M16 x 2	0.75	0.67	3.00
20.23.24	M16 x 2	M16 x 1.5	0.75	0.67	3.40

36



J.I.C. Fittings with Micro-Test Couplings

T-Style J.I.C. Fittings with Micro-Test Couplings

PART NO.	SIZE	THREAD A	H	H1	HEX1
20.10.81	1/4"	7/16-20		2.16	0.67
20.10.85	5/16"	1/2-20		2.16	0.74
20.10.80	3/8"	9/16-18		2.16	0.74
20.10.86	1/2"	3/4-16	1.61	2.60	0.87
20.10.87	5/8"	7/8-14	1.61	2.76	1.06
20.10.88	3/4"	1 - 1/16-12	1.61	2.80	1.26
20.10.89	1"	1 - 5/16-12	1.61	2.83	1.61
20.10.90	1 1/4"	1 - 5/8-12	1.61	2.95	1.97
20.10.91	1 1/2"	1 - 7/8-12	1.61	3.15	2.36

PART NO.	SIZE	THREAD A	H	H1	HEX1	HEX 2
20.42.04	1/4"	7/16-20	0.02	2.72	0.67	0.43
20.42.05	5/16"	1/2-20	0.02	2.87	0.75	0.51
20.42.06	3/8"	9/16-18	0.02	2.99	0.75	0.55
20.42.08	1/2"	3/4-16	0.02	3.70	0.87	0.75
20.42.10	5/8"	7/8-14	0.02	3.94	1.06	0.87
20.42.12	3/4"	1 - 1/16-12	0.02	4.25	1.26	1.06
20.42.16	1"	1 - 5/16-12	0.02	5.08	1.61	1.30
20.42.20	1 1/4"	1 - 5/8-12	0.02	5.12	1.97	1.61
20.42.24	1 1/2"	1 - 7/8-12	0.02	5.67	2.36	1.89