

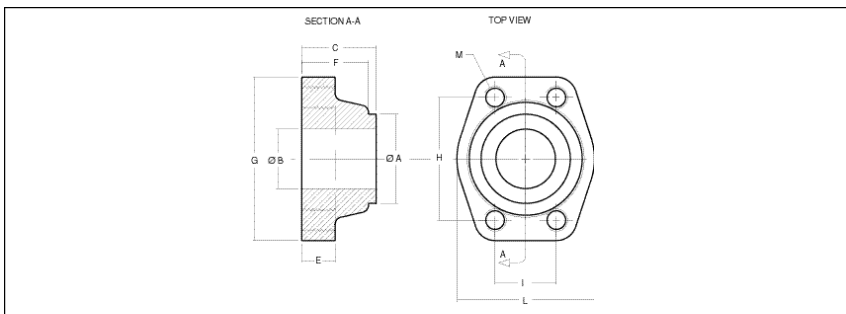
4-Bolt Connector Block

STANDARD PRESSURE : CODE 61

FLANGE SIZE	PART NO.	B	E	G	H	I	L	TAPPED UN-2B M	WT
1/2"	13051-08-08	0.50	1.77	2.16	1.500	0.688	1.97	5/16-18	1.80
3/4"	13051-12-12	0.75	1.77	2.60	1.875	0.875	1.97	3/8-16	2.10
1"	13051-16-16	1.00	1.77	2.76	2.062	1.031	2.28	3/8-16	2.40
1 1/4"	13051-20-20	1.25	1.97	3.15	2.312	1.188	2.99	7/16-14	4.40
1 1/2"	13051-24-24	1.50	1.97	3.74	2.750	1.406	3.50	1/2-13	5.90
2"	13051-32-32	1.94	1.97	3.94	3.062	1.688	3.86	1/2-13	6.60

HIGH PRESSURE : CODE 62

FLANGE SIZE	PART NO.	B	E	G	H	I	L	TAPPED UN-2B M	WT
1/2"	16051-08-08	0.50	1.77	2.16	1.594	0.718	1.97	5/16-18	1.90
3/4"	16051-12-12	0.75	1.97	2.76	2.000	0.937	2.48	3/8-16	3.40
1"	16051-16-16	1.00	1.97	3.15	2.250	1.093	2.76	7/16-14	4.20
1 1/4"	16051-20-20	1.25	1.97	3.74	2.625	1.250	3.03	1/2-13	5.20
1 1/2"	16051-24-24	1.50	2.48	4.49	3.125	1.437	3.86	5/8-11	10.30
2"	16051-32-32	1.94	2.99	5.24	3.812	1.750	4.49	3/4-10	16.20



4-Bolt Tank Pilot

STANDARD PRESSURE : CODE 61

FLANGE SIZE	FLAT FACE PART NO.	A	B	C	E	F	G	H	I	L	TAP UNC-2B M	WT
3/4"	13047-12-12	1.375	0.75	1.42	0.71	0.94	2.56	1.875	0.875	1.97	3/8-16	0.86
1"	13047-16-16	1.500	1.00	1.50	0.71	1.12	2.76	2.062	1.031	2.17	3/8-16	1.01
1 1/4"	13047-20-20	1.750	1.25	1.61	0.83	1.20	3.11	2.312	1.188	2.68	7/16-14	1.46
1 1/2"	13047-24-24	2.125	1.50	1.77	0.98	1.62	3.66	2.750	1.406	3.07	1/2-13	2.32
2"	13047-32-32	2.500	2.00	1.77	0.98	1.88	4.02	3.062	1.688	3.54	1/2-13	2.62
2 1/2" ¹	13047-40-40	3.250	2.50	1.97	0.98	2.19	4.49	3.500	2.000	4.13	1/2-13	3.09

¹ 2500 PSI